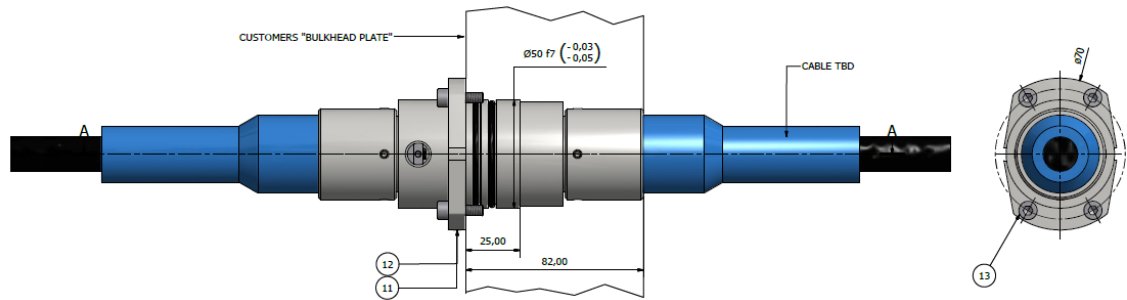


# Cable Hang-Off



## Features:

- Cable Hang-Off for Umbilical topside strain relief.
- Based upon knowledge of long time subsea termination technology.
- Qualified Rubber components.
- Standard Exposed metal: Stainless steel.
- Standard Cable diameter range from 12mm to 17mm.
- To be mounted on Customer "Bulk Head Plate" in Pull-in head.
- Storage temperature: -40 to + 70 deg. Centigrade.
- Custom designs available.

## Typical Applications:

- Instrumentation
- Workover systems
- Service Umbilical termination